



# U34<sup>LED</sup> environment friendly

indoor self-contained emergency lighting luminaires  
LED



6 611 60

6 611 60 + 6 612 92

LED maintained/ non maintained units  
High power LEDs with specially designed lens optimizing the lighting distribution  
IP 42 - IK 07  
Class II  
Power supply: 230 V ± 10% - 50/60 Hz  
Very low consumption switching power supply  
Fully recyclable after removing  
Environment friendly Ni-MH batteries  
Removable plug-in plate to ease installation and maintenance  
Automatic terminals with high capacity: 2 x 2.5 mm<sup>2</sup>  
Charge monitor with a green LED

| Pack | Cat.Nos  | Standard luminaires  |
|------|----------|--|
|      |          | Standard luminaires incorporate an external manual lamp test                             |
| 1    | 6 611 60 | <b>1 h duration with opal diffuser</b><br>Maintained/Non maintained - 250 lm - 1h (LEDs) |
| 1    | 6 611 80 | Maintained/Non maintained - 450 lm - 1h (LEDs)   |
| 1    | 6 611 90 | <b>3 h duration with opal diffuser</b><br>Maintained/Non maintained - 200 lm - 3h (LEDs) |

| Pack | Cat.Nos  | Autotest/addressable luminaires  |
|------|----------|--|
|      |          | Autotest/addressable luminaires incorporate an automatic self-testing system<br>Tests result is visible on 2 signalling LEDs (green-OK and yellow-defective)<br>Addressable function is activated by setting an ID on each luminaire with infrared configuration tool (Cat. No. 0 626 10) and wiring a complementary BUS line<br>Operating state of all addressable luminaires can be centralized by the control interface (Cat. No. 0 626 00) and monitored on a local touch screen controller (Cat.No 0 626 01), or with the building's plan on Legrand Vision System (L.V.S. 2) PC software |
| 1    | 6 621 60 | <b>1 h duration with opal diffuser</b><br>Maintained/Non maintained - 250 lm - 1h (LEDs)   |
| 1    | 6 621 80 | Maintained/Non maintained - 450 lm - 1h (LEDs)   |
| 1    | 6 621 90 | <b>3 h duration with opal diffuser</b><br>Maintained/Non maintained - 200 lm - 3h (LEDs)   |

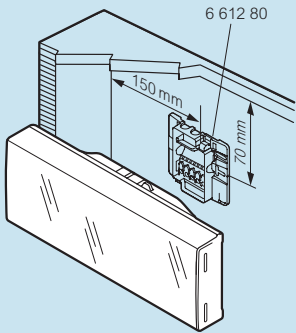
| Pack | Cat.Nos  | Accessories   |
|------|----------|---|
| 1    | 6 612 81 | Lateral cabling accessory for U33/U34LED plug-in plate                      |
| 1    | 6 612 92 | Flush-mounting frame for dry partitions                                     |
| 1    | 6 612 93 | Flush-mounting box for masonry (to be added with flush-mounting frame)      |
| 1    | 6 612 94 | Vertical signalling plate (to be associated with signalling pictograms)     |
| 1    | 6 618 00 | 127 x 254 mm  |
| 1    | 6 618 01 | 127 x 254 mm  |
| 1    | 6 618 02 | 127 x 254 mm  |
| 1    | 6 618 03 | 127 x 254 mm  |
| 1    | 6 618 40 | 127 x 254 mm  |
| 1    | 6 618 50 | 127 x 254 mm  |
| 1    | 6 618 51 | 127 x 254 mm  |
| 1    | 6 612 99 | Infrared testing tool for U34 LED, U33, B66 LED and B66 standard luminaires |

# U34<sup>LED</sup> environment friendly

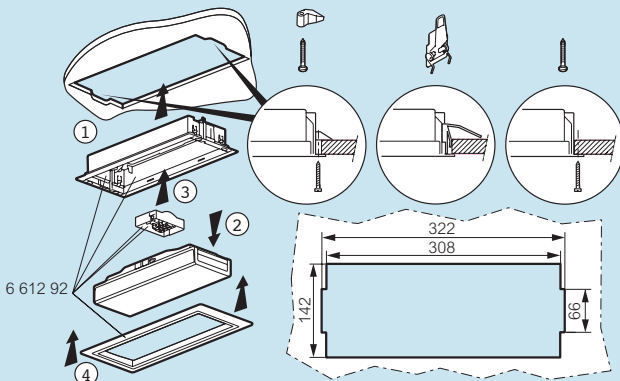
indoor self-contained emergency lighting luminaire  
LED

## ■ Installation

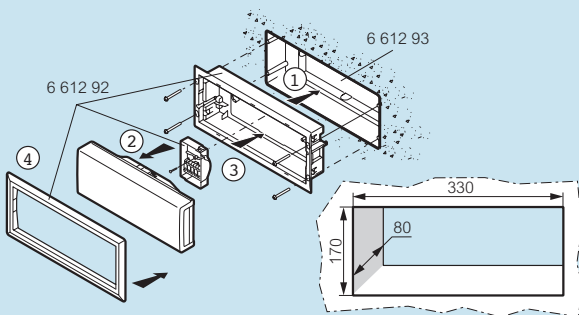
### Surface-mounting



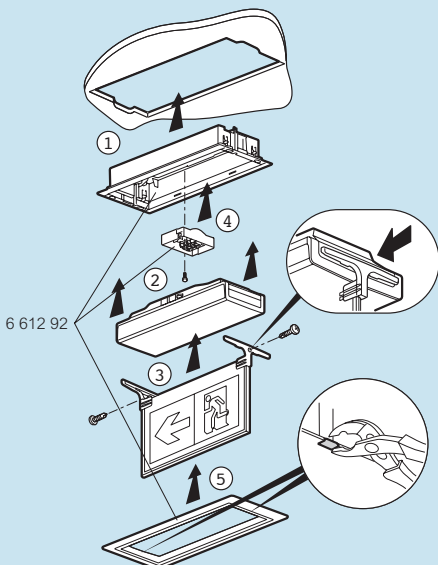
### Flush-mounting in dry partitions



### Flush-mounting in masonry

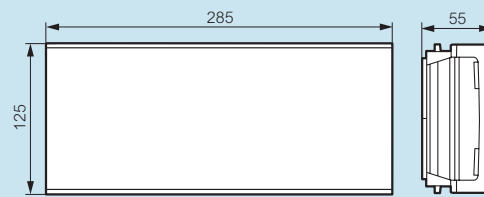


### Flush-mounting with signalling plate

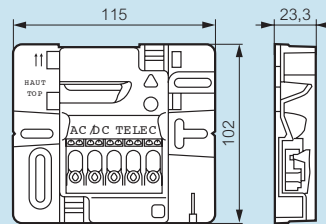


## ■ Dimensions (in mm)

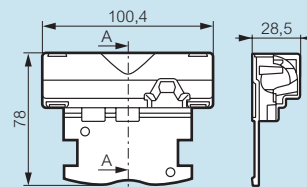
### Surface-mounting



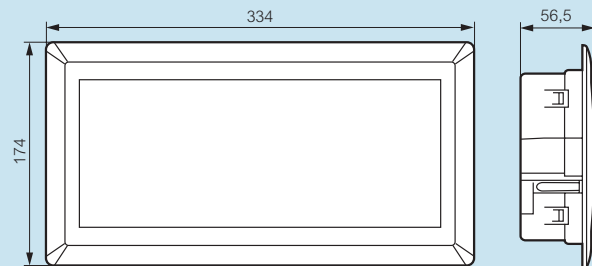
### Plug-in plate



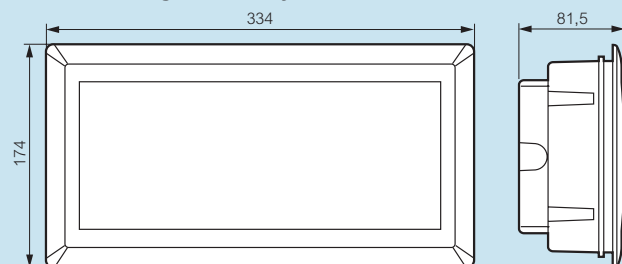
### Lateral cabling accessory



### Flush-mounting in dry partitions



### Flush-mounting in masonry



### Signalling plate

